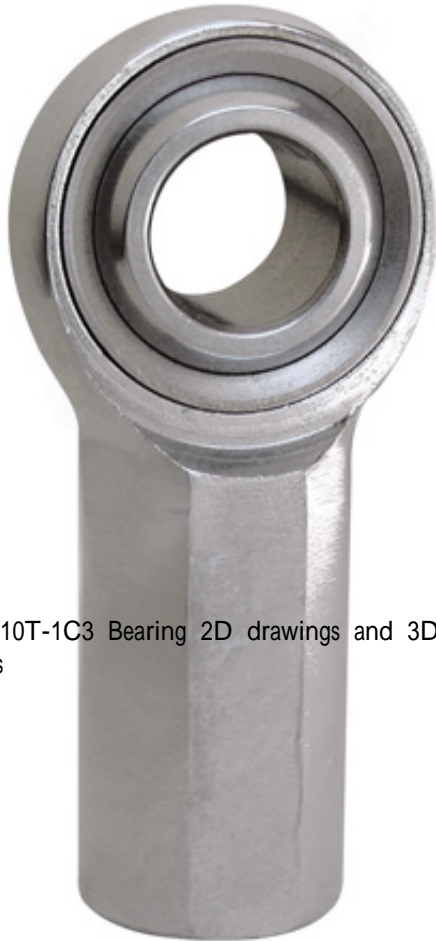




BEARING-SINGAPORE (PTE)LTD.

QA1 Precision Products MKFR10T-1C3 Bearings Spherical Rod Ends



MKFR10T-1C3 Bearing 2D drawings and 3D CAD models

Bearing No. MKFR10T-1C3

d	10 mm
race material:	Alloy Steel - Heat Treated
misalignment angle:	17 °
radial static load capacity:	17,543 N
shank thread length:	21 mm
axial static load capacity:	17,543 N
rod end type:	Female Threaded
lubrication:	Self Lubricating
shank thread size:	M10 x 1.5
head diameter:	27 mm
thread direction:	Right Hand
head width:	10.50 mm
grade:	Precision
ball width:	14 mm
lubrication type:	Maintenance Free/Self-Lubricating
length to ball center:	43 mm
housing material:	Carbon Steel - corrosion resistant plating
series:	MK
ball material:	52100 BEARING STEEL HEAT TREATED CHROME PLATE